

VK3 // with pipe tee



VK3

Your advantages

Series	VK3
	<ul style="list-style-type: none"> • Cost optimized plastic version • Factory set special set points for series applications • Brass tee DN 8...50

Technical data

Switching function	Contact → closes at increasing flow → opens at decreasing flow Reversing possible
Pressure rating	PN 10
Temperature ranges	
Medium	-25...100 °C
Ambient	-25...70 °C
Electrical data	
Electrical connection	1.5 m PVC jacket cable
Switching current	Max. 1 A
Switching voltage	Max. 230 VAC, 48 VDC
Rating	Max. 26 VA, 20 W
Degree of protection EN 60529	IP65
Protection class EN 60730-1	Class II

Approvals



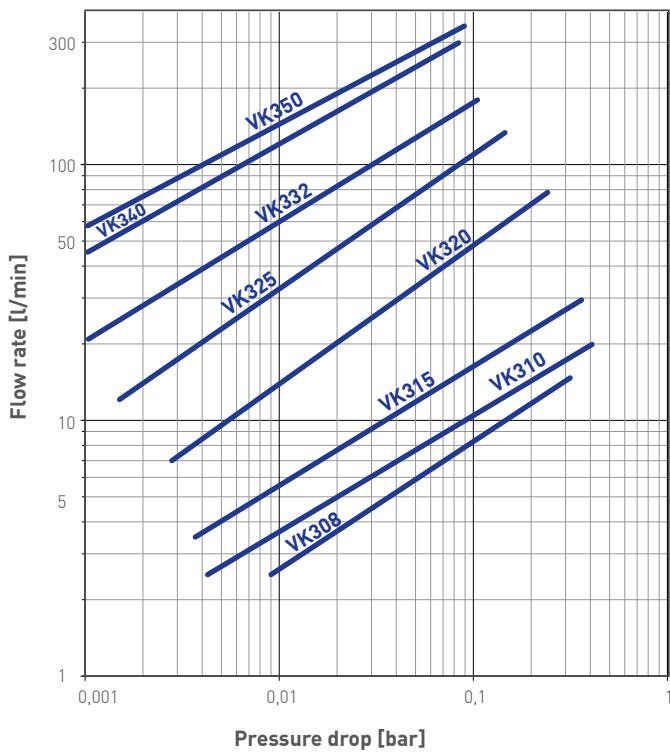
Options

For type	On request
VK3	<ul style="list-style-type: none"> → Special setpoints → 4 different colours of the union nut for distinction → Recognized component ETL according to UL & CSA standards

Nominal diameter	Thread connection D ₁	Setpoint ranges [l/min]*		Max. flow rate [l/min]
		Increasing flow ON	Decreasing flow OFF	
DN 8	G ¹ / ₄	2,2...2,7	2,1...2,6	15
DN 10	G ³ / ₈	2,5...3,3	2,4...3,1	20
DN 15	G ¹ / ₂	3,4...4,4	3,2...4,2	30
DN 15	G ¹ / ₂ male	2,7...3,3	2,5...3,2	20
DN 15	G ³ / ₄ male	2,7...3,3	2,5...3,2	20
DN 20	G ³ / ₄	7,0...8,7	6,4...8,0	80
DN 25	G 1	12,0...15,4	11,0...14,0	130
DN 32	G 1 ¹ / ₄	14,5...18,4	13,5...17,2	180
DN 40	G 1 ¹ / ₂	25,8...36,5	24,0...31,5	300
DN 50	G 2	41,5...56,0	39,0...52,7	350

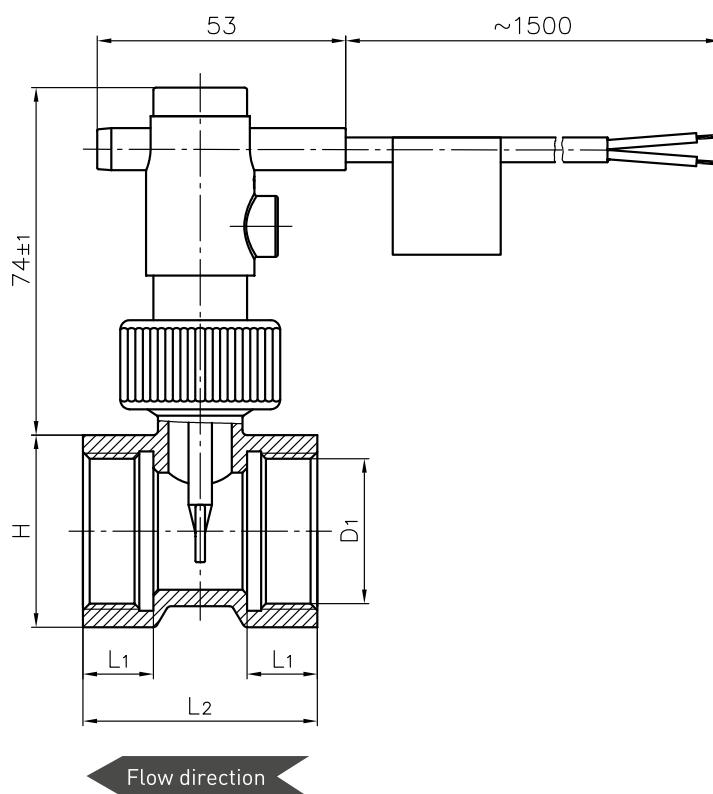
* Water, 20 °C, horizontal pipe, tolerance ±15 %

Typical pressure drop



Dimensions [mm]

Thread connection D ₁	L ₁	L ₂	H
G 1/4	11	50	27
G 3/8	11	50	27
G 1/2	11	50	27
G 1/2 male	10	60	
G 3/4 male	11	50	
G 3/4	15	50	32
G 1	15	50	41
G 1 1/4	15	50	48
G 1 1/2	15	50	55
G 2	22	64	70



Materials in contact with fluid

Body, Paddle	PPE+PS Noryl™ 30 % glass fibre reinforced
Pipe tee	Brass CW617N
Pin*	Stainless steel 1.4571
Magnet	Hard ferrite
O-ring	NBR

* only VK340 and VK350

Order code		
Nominal diameter	Thread connection	Order number
DN 8	G 1/4	VK308M0P10PI11
DN 10	G 3/8	VK310M0P10PI21
DN 15	G 1/2	VK315M0P10PI31
DN 15	G 1/2 male	VK315M0P10PA31
DN 15	G 3/4 male	VK315M0P10PA41
DN 20	G 3/4	VK320M0P10PI41
DN 25	G 1	VK325M0P10PI51
DN 32	G 1 1/4	VK332M0P10PI61
DN 40	G 1 1/2	VK340M0P10PI71
DN 50	G 2	VK350M0P10PI81