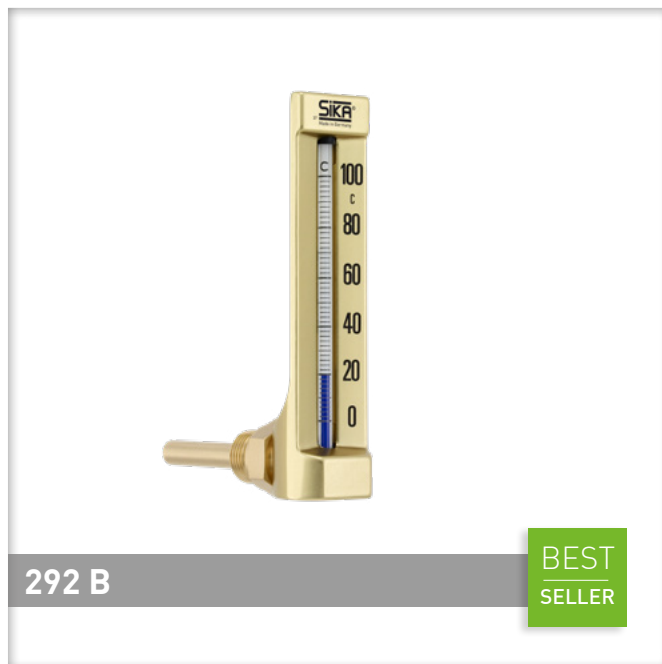



Fixed male thread // Nominal size 200 and 150 // Aluminium anodized



Your advantages	
Series	271 /272 / 291 /292 B
	<ul style="list-style-type: none"> • Accuracy according to DIN 16195 • No aging - no moving parts and no mechanical wear • Lifetime warranty* • Completely without electrical auxiliary energy

Technical data				
Type	271 B	272 B	291 B	292 B
Standard	DIN 16189 B, DIN 16190 S, S1 and DIN 16191 B, B1		DIN 16185 B and DIN 16186 S	
Version	Straight	Angle 90°	Straight	Angle 90°
Dimensions Housing	200 x 36 mm		150 x 36 mm	
Measuring range according to DIN	Between -30...250 °C			
Error limits according to DIN 16195	-30...100 °C = 2 °C 0...120 °C = 2 °C 0...200 °C = 4 °C		-30...120 °C = 2 °C 0...160 °C = 4 °C	
Medium / Application	Liquid and gaseous media			
Immersion tube length	Between 63...250 mm			
Immersion tube diameter	Ø 10 mm			
Process connection	Fixed male thread G½, G¾, M20 x 1.5, M27 x 2			
Pressure rating**	→ Immersion tube brass, brazed PN 16 → Immersion tube steel or stainless steel, welded PN 35 → Immersion tube special brass or CuNi30Fe PN 16			
Medium temperature	See selected measurement range			
Ambient temperature	-20...60 °C			
Storage temperature	-40...100 °C			
Approvals				

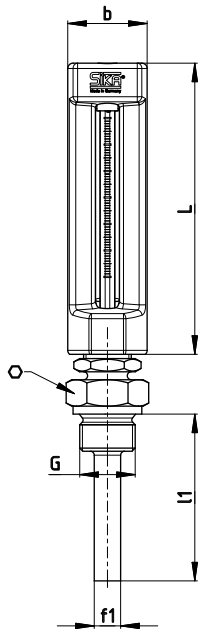
* Except glass breakage and improper installation.

** Non-binding guideline - For higher pressure loads, additional protection tubes have to be used.

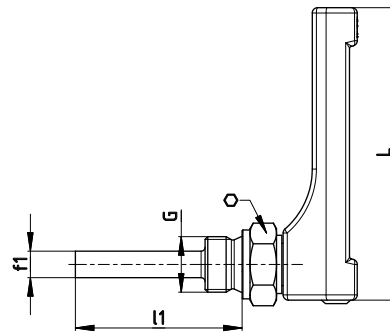
Options

For type	See separate data sheet
271 / 272 B	Process connection with union nut, Types Da / Dc
291 / 292 B	Version for serial applications Types HBZ / WBZ

Type 271 B / 291 B



Type 272 B / 292 B



Dimensions [mm]	L	f ₁	b	l ₁	G / ∅ Width across flats
291 B / 292 B	150	∅ 10	36	63	G ¹ / ₂ / SW27
271 B / 272 B	200			100	G ³ / ₄ / SW32
				160	M20 x 1.5 / SW27
				250	M27 x 2 / SW32

Material

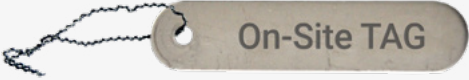
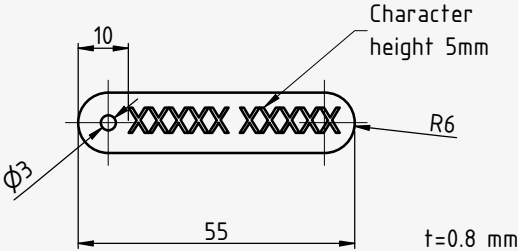
Housing	Warm pressed aluminium part, gold anodized
Thermometer capillary	Prismatic capillary tube of solid glass, bar-shaped, diameter approx. ∅ 6 mm, scale permanently burnt in
Thermometer filling → Blue	Petroleum
Material in contact with media	
Process connection	see immersion tube material
Immersion tube material → Standard → Optional	Brass, brazed Stainless steel, welded Special brass (sea water resistant) Copper nickel alloy CuNi30Fe (sea water resistant)

Order code										
Version	Nominal size									
Straight Angle 90 °	200 mm	271								
		272								
Straight Angle 90 °	150 mm	291								
		292								
Immersion tube type										
Type B - fixed male thread		2								
Display ranges										
-30...50 °C		35								
0...60 °C		06								
0...100 °C		10								
0...120 °C		12								
0...160 °C		16								
0...200 °C		20								
0...250 °C		25								
Scale										
Celsius °C		1								
Celsius and Fahrenheit (°C + °F)		2								
Thermometer filling										
Blue		1								
Immersion tube length (l ₁)										
63 mm		063								
100 mm		100								
160 mm		160								
250 mm		250								
Process connection										
G½ / SW27		2								
G¾ / SW32		3								
M20 x 1.5 / SW27		7								
M27 x 2 / SW32		9								
Immersion tube material										
Brass		1								
Stainless steel		3								
Special brass		4								
Copper nickel alloy		5								
Example order number		271	2	35	1	1	063	2	1	

If required please ask for our specification sheet „Immersion tube material“

**BEST
SELLER**

Type		Immersion tube length (l ₁)	Order number							
271 B	Straight type, nominal size 200 mm, 0...100 °C, with fixed male thread G½, Immersion tube brass	63 mm	271	2	10	1	1	063	2	1
271 B		100 mm	271	2	10	1	1	100	2	1
291 B	Straight type, nominal size 150 mm, 0...100 °C, with fixed male thread G½, Immersion tube brass	63 mm	291	2	10	1	1	063	2	1
291 B		100 mm	291	2	10	1	1	100	2	1
292 B	Angle type, nominal size 150 mm, 0...100 °C, with fixed male thread G½, Immersion tube brass	63 mm	292	2	10	1	1	063	2	1
292 B		100 mm	292	2	10	1	1	100	2	1

Accessories	Article number
<p>Measuring point designation</p> <p>Laser-inscribed stainless steel plate with fixing wire for easy attachment to measuring points</p> <ul style="list-style-type: none"> → Scope of delivery: Designation plate inscribed according to specification and enclosed fixing wire (sealing wire) → Fastening: Wire (included in delivery), alternatively sealing, cable ties or similar (not included in delivery) → Materials: Plate stainless steel 1.4571, wire stainless steel → Dimensions: Plate 55 x 10 x 0.8 mm, wire length 180 mm → Inscription: one-sided, single-line, max. 11 characters, character height 5 mm, designation width max. 40 mm, letters, numbers, symbols, barcodes, QR codes → Transmission of designations: digital list, file formats Excel, Word or CSV <div style="display: flex; align-items: center; justify-content: space-around; margin-top: 20px;">   </div>	<p>ONSITETAG</p>